

# REVERSIBLE PLOUGHS





## HF AGRO REVERSIBLE PLOUGHS FOR MAXIMUM PERFORMANCE

HF Agro reversible ploughs are designed for ploughing of grain and industrial crops to a depth of 18 to 35 cm, not soiled with stones, flagstone and other obstacles. (Soil resistivity up to 0.1 MPa (1 kgf/cm<sup>2</sup>), hardness up to 4.0 MPa (40 kgf/cm<sup>2</sup>)).



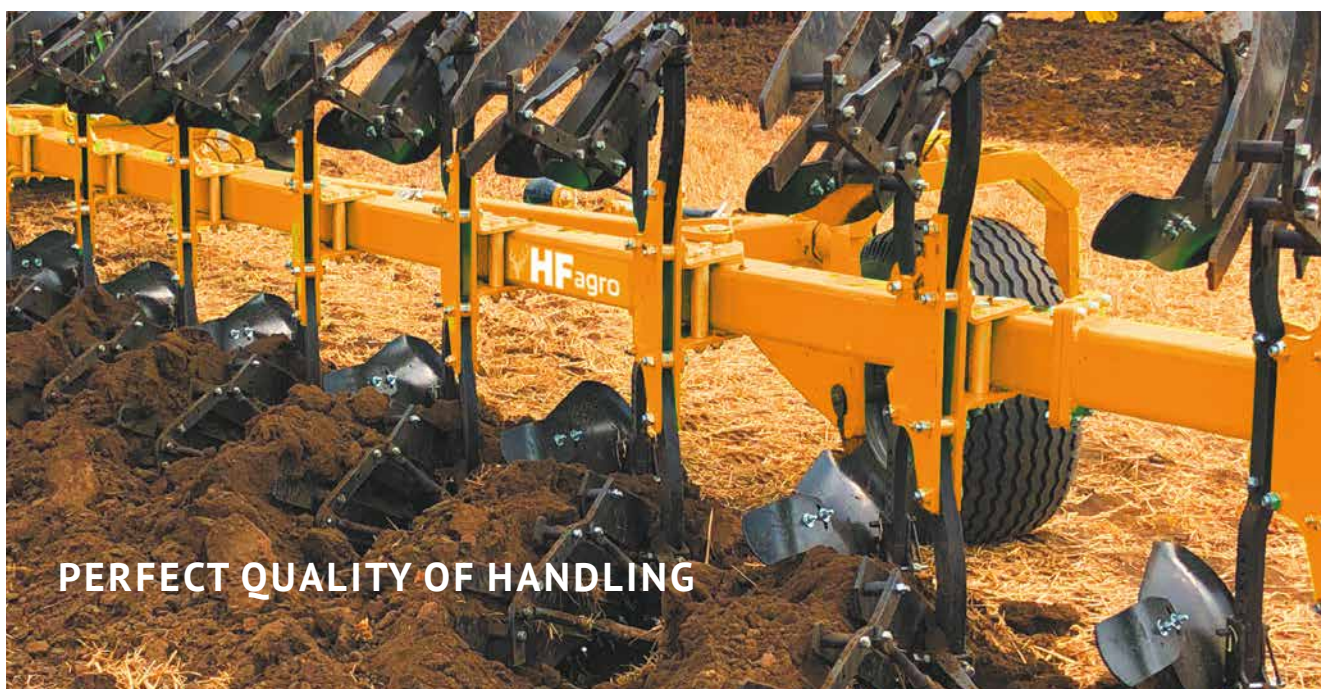
82-330 h.p.



18-35 cm



0,84-4,0 m



### PERFECT QUALITY OF HANDLING

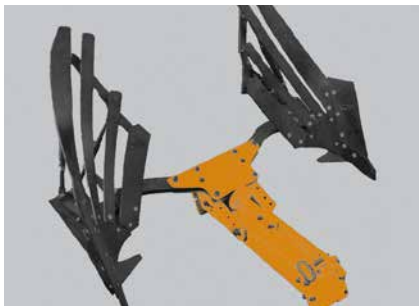
- HF Agro reversible ploughs have a high (800 mm) stilt of tools and can be equipped with a solid or strip breast of the body.
- Breasts have a strip structure, which allows to hoe over the soil intensively and without passes even in conditions of high humidity.
- The tools are equipped with screw adjusters that allow to adjust the width and angle of the breast inclination in the range from 330 to 500 mm.

## DESIGN ADVANTAGES OF HF AGRO PLOUGHS



### DESIGN ADVANTAGES OF HF AGRO PLOUGHS

Thanks to the verified design, competent arrangement of a depth wheel (lateral placement), telescopic hydraulic cylinders, a quick turn is provided on a narrow headland, which significantly saves time.



#### VERSATILITY

The ability to easily change the coverage of the working body. Simple and easy adjustment, without the use of special tools.



#### COMFORT IN TRANSPORT POSITION

The plough can be transported at high speed without causing a load on the tractor hitch.



#### STRENGTH WEAR RESISTANCE

The maximum strength of the HF Agro plough frame is the key to long-term service, and the high wear resistance of tools made of high-quality steel, provides savings in ploughing costs and operation durability.



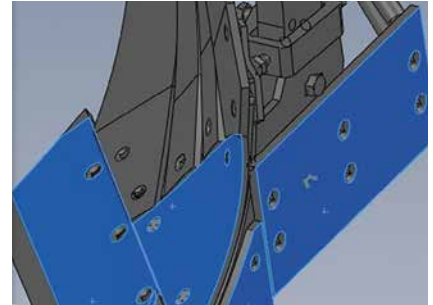
## EFFECTIVE AND COST-EFFICIENT TOOLS



### FUNCTIONALITY

HF Agro reversible ploughs can be equipped with colters with powerful flat stilts (flat stilts prevent twisting of colters).

The adjustment of the colters is quick and easy, it is performed separately from each other and without the need to use additional tools.



### ROBUST DESIGN

Breasts and strips of breasts are mounted completely on the boot of the plough body and are not part of the body load-bearing structure, this allows for the effective soil turnover.



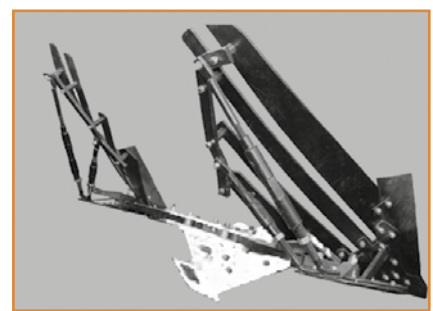
### MAXIMUM COST EFFECTIVENESS

Breasts and breast strips can be used almost to the point of complete wear, since this does not in any way impair the strength of the plough body.



### EXTENDED SERVICE LIFE

HF Agro plough bodies have an extended service life, are suitable for operating on sticky soils, and require less traction.



### HEAVY DUTY

On strip breasts, the distance between the strips and the rear fastening for the strips is significantly increased. The fastening is located behind the strips, which allows ploughing without clogging even in difficult soil conditions.

## CLEVER AND ROBUST DESIGN



### ROBUST SWIVEL GEAR

Two telescopic hydraulic cylinders provide quick rotation of the plough for 180 degrees.

Due to the lateral arrangement of the depth wheel, not only is the load on the plough frame reduced, but also the distance between the tractor wheels and the plough wheel. This helps to increase the manoeuvrability of the entire unit when turning.



### LARGE DEPTH WHEEL

A large depth wheel reduces ground pressure during ploughing and ensures the necessary safety during transportation.

On ploughs that are equipped with an additional body, the position of the support wheel makes it possible to plough to the very border of the field.



### FINE ADJUSTMENTS

Fine adjustment of the plough tilt position in the furrow is carried out using the adjusting bolts separately for each side.

The design allows to adjust both the width and the angle of the breast inclination, in a wide range (33, 38, 44 and 50 cm for each body).

### COMFORTABLE ADJUSTMENTS

Setting the working depth of the colters is carried out in steps using a pin on a flat stilt. This allows to establish the same position of all colters without additional measurements.

### TROUBLE-FREE OPERATION

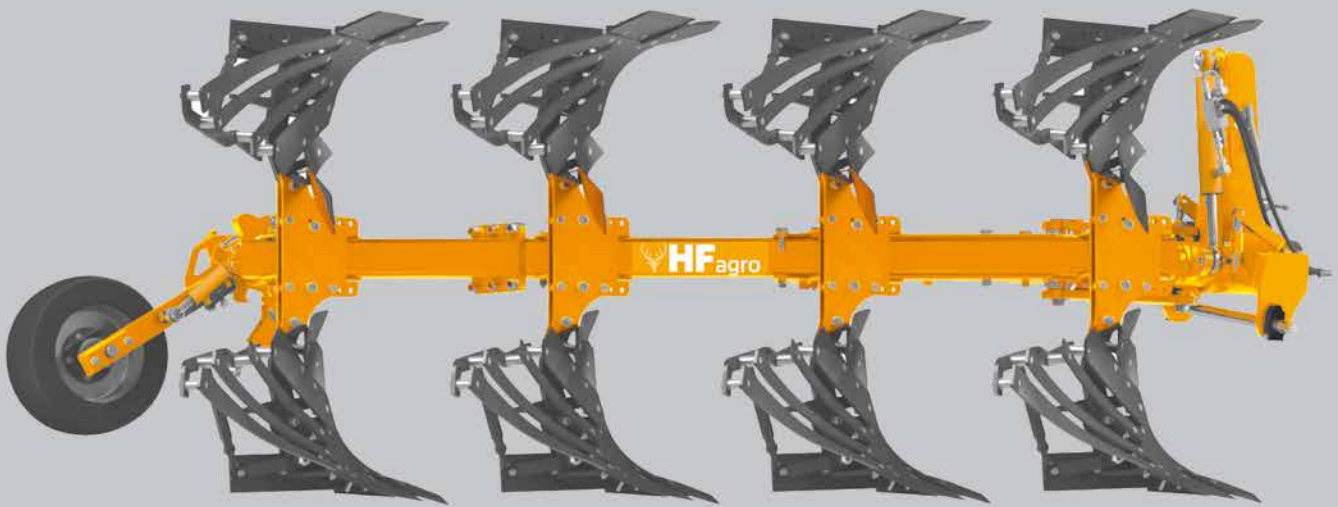
High standards of production, and the quality of materials, provides HF Agro ploughs with reliable and long-term operation over the entire life cycle.

## CLEVER AND ROBUST DESIGN

HFagro reversible ploughs consist of a frame with a mechanism for turning the bodies (right and left, each body is made with a strip breast), a mechanism for the rear depth wheels and a drawbar with a tower.

The frame consists of square beams that are pivotally attached to each other. On both sides, the main beam of the frame is pivotally attached with a rotary beam to the supporting beam. The main beam is also equipped with a diagonal limit thrust connecting the main beam and the rear rotary beam.

On the side that adjoins the tractor, the drawbar is provided with a fastening unit (tower), and on the opposite side, with a mechanism with two support wheels.



## SERVICE MATTERS

For HFagro, the business does not end with the sale of the unit.

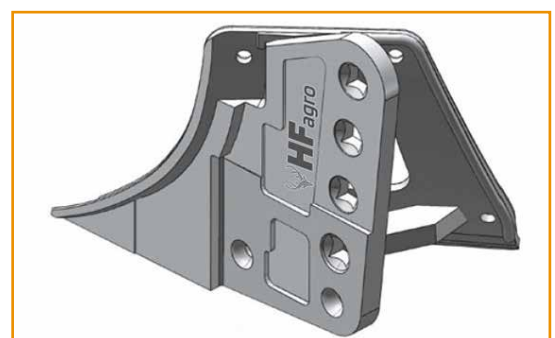
Well-trained service technicians are always ready to provide highly qualified assistance to farmers, entrepreneurs and dealers during the initial commissioning of equipment, as well as during professional maintenance and repair.



## OEM PARTS

OEM parts have a long service life.

The use of high quality materials, careful and continuous quality control, is a guarantee of a long service life of parts.







## TECHNICAL DATA

	HF-1114 m		HF-1115 m		HF-1116 m		HF-1118 sm	
Number of cases, pcs	3	3+1	4	4+1	5	5+1	7	7+1
Working width, m	0,84-1,60	1,12-1,60	1,32-2,00	1,65-2,50		1,98-3,00	2,31-3,50	2,64-4,00
Transport width, m	1,80		1,75		1,72			
Tilling depth, cm	18-30			18-35				
Stilt height, mm	700			800				
Distance between stilts, mm	860		900		1 000			
Body coverage, cm	28 / 32 / 36 / 40		33/38/44/50					
Recommended working speed, km/h	5-9			8-10				
Maximum transport speed, km/h	15				20			
Weight, kg	740	960	1 590	1 850	2500	2750	3100	3450
Power requirements, h.p.	82	120	180	230		270	300	330
Plough with ON-LAND system (on field)							+	+

Mounted ploughs 3-4 bodies:		Mounted ploughs 4-5 bodies:		Ploughs on the depth wheel:	
Beam cross-section, mm	120x120	Beam cross-section, mm	140x140	Beam cross-section, mm	160x160
Wall thickness, mm	8	Wall thickness, mm	10	Wall thickness, mm	10



[WWW.HFAGRO.DE](http://WWW.HFAGRO.DE)  
[office@hfagro.de](mailto:office@hfagro.de)  
+38 (050) 301-42-80